



VHF MARINE TRANSCEIVER

IC-M402



Easy to see! Easy to hear!

Large 2-digit Ch with scrolling channel names

Look at the size of the LCD with large letters and numbers! The large, easy to see display has 27x43mm (1¹/₁₆x1⁵/₁₆in.) dimensions, so channel indications are maximized. 10-character channel names and all settings are displayed at the same time.



The photo shows actual display size.

Easy to hear speaker

A newly designed large speaker grill improves the output of the front-mounted speaker. The result is that the audio sounds even louder than the 4.5W (typical) output capability, even over wind or engine noise.

Built-in DSC capability that meets RTCM SC101

The DSC watch function monitors Ch 70, while receiving another channel. It allows you to send a formatted distress message in an emergency. The position request function indicates a caller's position. Up to 30 DSC IDs are memorized.

Rugged waterproof construction

By spraying off any salt with fresh water after your outing, the IC-M402 is designed to work for many years. (Equivalent to JIS 7, submersible 1m/30min; except cables)



Optional COMMANDMIC®

Our COMMANDMIC® makes it convenient for using the IC-M402 from a separate cabin or tower. It allows you to remotely control all functions of the IC-M402 (except DSC operation). It offers its own large, easy to read LCD, is easy to hear and is also waterproof!



Optional COMMANDMIC®, HM-127W

And more...

- Dual and tri-watch functions for monitoring channel 16 (or channel 16 and another call channel), while receiving on another channel
- Position indication when connected to GPS (GPS is not included)
- Adjustable LCD backlighting and key illumination in 4 steps for nighttime operation
- Supplied remote function Mic. for convenient channel selection
- NOAA weather channels with alert function
- Simple and easy tag scanning system
- Available in black or white

Icom Inc.

SPECIFICATIONS

GENERAL

- Frequency range : Tx 156.025–157.425MHz
Rx 156.050–163.275MHz
- Usable channels :
All International, U.S.A.* and Canadian* channels; plus 10 weather* channels (* U.S.A. version only)
- Type of emission : 16K0G3E (FM), 16K0G2B (DSC)
- Power supply : 13.8V DC ±15%
- Current drain : Tx 6A (at 25W output) (at 13.8V DC) Rx 1.2A (at AF max.)
- Operating temperature range:
–20°C to +60°C; –4°F to +140°F
- Antenna connector: SO-239 (50Ω)
- Dimensions (W×H×D):
153×67×141.6mm; 6¹/₃₂×2⁵/₈×5⁹/₁₆in.
- Weight : 900g; 2lb

TRANSMITTER

- Output power : High 25W (at 13.8V DC) Low 1W
- Modulation system:
Variable reactance freq. modulation
- Spurious emissions: Less than –70dB
- Adj. channel power: 70dB

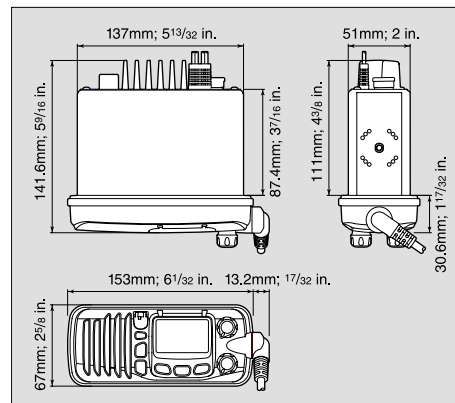
RECEIVER

- Receive system :
Double conversion superheterodyne
- Intermediate freq. : 1st 21.7MHz
2nd 450kHz
- Sensitivity : 0.25μV at 12dB SINAD
- Squelch sensitivity: 0.20μV typical
- Adj. Ch. selectivity: 70dB
- Spurious response rejection ratio:
70dB
- Intermodulation rejection ratio:
70dB
- Audio output power: 4.5W typical 10% distortion with a 4Ω load
- Audio output impedance: 4Ω
- GPS interface : NMEA0183 ver. 2.0

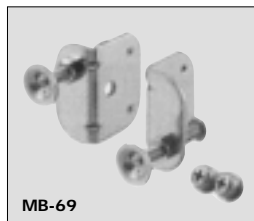
Supplied accessories:

- Hand microphone
- DC power cable
- Mounting bracket kit

All stated specifications are subject to change without notice or obligation.



OPTIONS



- **MB-69 FLUSH MOUNT KIT**
For flush-mounting the IC-M402 to a flat surface such as an instrument control panel.

- **HM-129B/W SMART MICROPHONE**
White and black are available. Same as supplied.

- **OPC-999 EXTENSION CABLE FOR HM-127B/W**
6m (20ft) of extension cable for additional lengthening for use with COMMANDMIC®.



- **HM-127B/W REMOTE-CONTROL MICROPHONE**
Up to 21m (70ft) of freedom from the IC-M402 with two OPC-999 EXTENSION CABLES. Allows you to control all functions of the IC-M402 (except DSC operation).
Size (W×H×D): 63.5×125.0×31.4mm; 2¹/₂×4²⁹/₃₂×1¹/₁₆in.
Weight (approx., except cables): 150g ; 5.3oz
Supplied accessories :
• 6m (20ft) of cable • Mic. hanger
• Mounting base for cable connector

Please note that the HM-127B/W is not compatible with the HM-134B. COMMANDMIC is a registered trademark of Icom Inc, in the U.S.A.



Icom Inc.

1-1-32, Kamiminami, Hirano-ku, Osaka 547-0003, Japan Phone: 06 6793 5302 Fax: 06 6793 0013 URL: <http://www.icom.co.jp/world/index.html>

Count on us!

Icom America Inc.

<Corporate Headquarters>
2380 116th Avenue N.E., Bellevue, WA 98004, U.S.A.
Phone: (425) 454-8155 Fax: (425) 454-1509
URL : <http://www.icomamerica.com>
<Customer Service> Phone : (425) 454-7619

Icom Canada

Glenwood Centre #150-6165 Highway 17,
Delta, B.C., V4K 5B8, Canada
Phone: (604) 952-0666 Fax: (604) 952-0090
URL : <http://www.icomcanada.com>

Icom (Australia) Pty. Ltd.

A.B.N. 88 006 092 575
290-294 Albert Street, Brunswick, Victoria, 3056, Australia
Phone: 03 9387 0666 Fax: 03 9387 0022
URL : <http://www.icom.net.au>

Icom New Zealand

146A Harris Road, East Tamaki, Auckland, New Zealand
Phone: 09 274 4062 Fax: 09 274 4708
URL : <http://www.icom.co.nz>

Icom (Europe) GmbH

Communication Equipment
Himmelgeister Str. 100, D-40225 Düsseldorf, Germany
Phone: 0211 346047 Fax: 0211 333639
URL : <http://www.icomeurope.com>

Icom Spain S.L.

Ctra. de Gracia a Manresa Km. 14,750
08190 Sant Cugat del Valles Barcelona, SPAIN
Phone: (93) 590 26 70 Fax: (93) 589 04 46
URL : <http://www.icomspain.com>

Icom (UK) Ltd.

Unit 9, Sea St., Herne Bay, Kent, CT6 8LD, U.K.
Phone: 01227 741741 Fax: 01227 741742
URL : <http://www.icomuk.co.uk>

Icom France S.a

Zac de la Plaine, 1, Rue Brindejonc des Moulinais
BP 5804, 31505 Toulouse Cedex, France
Phone: (33) 5 61 36 03 03 Fax: (33) 5 61 36 03 00
URL : <http://www.icom-france.com>

Asia Icom Inc.

6F No. 68, Sec. 1 Cheng-Teh Road,
Taipei, Taiwan, R.O.C.
Phone: (02) 2559 1899 Fax: (02) 2559 1874
URL : <http://www.asia-icom.com>

Beijing Icom Ltd.

1305, Wanshang Plaza, Shijingshan Road,
Beijing, China
Phone: (010) 6866 6337 Fax: (010) 6866 3553
URL : <http://www.bjicom.com>



Certificate Number Q14190

Icom Inc. (Japan), is an ISO9001 certification acquired company.

Your local distributor/dealer: